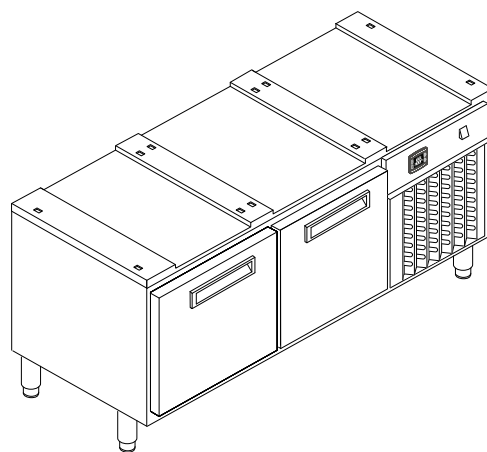


# Refrigerated base

N7E / N9E



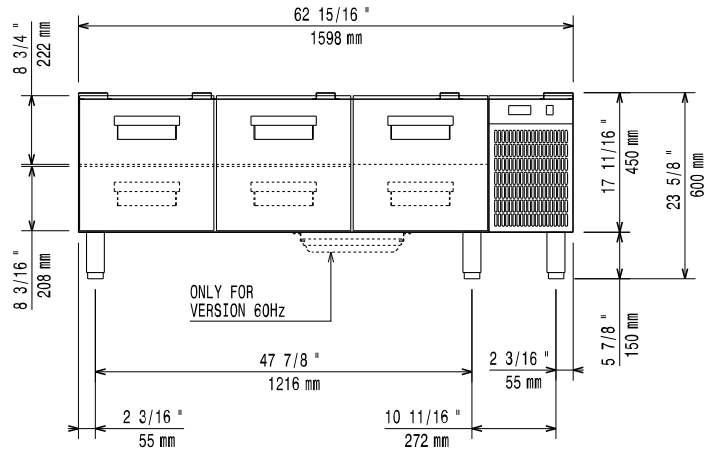
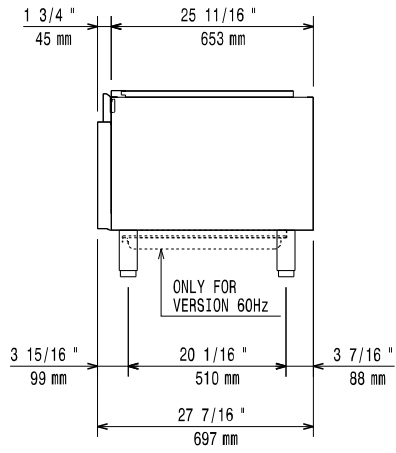
---

EN Installation and operating manual \*



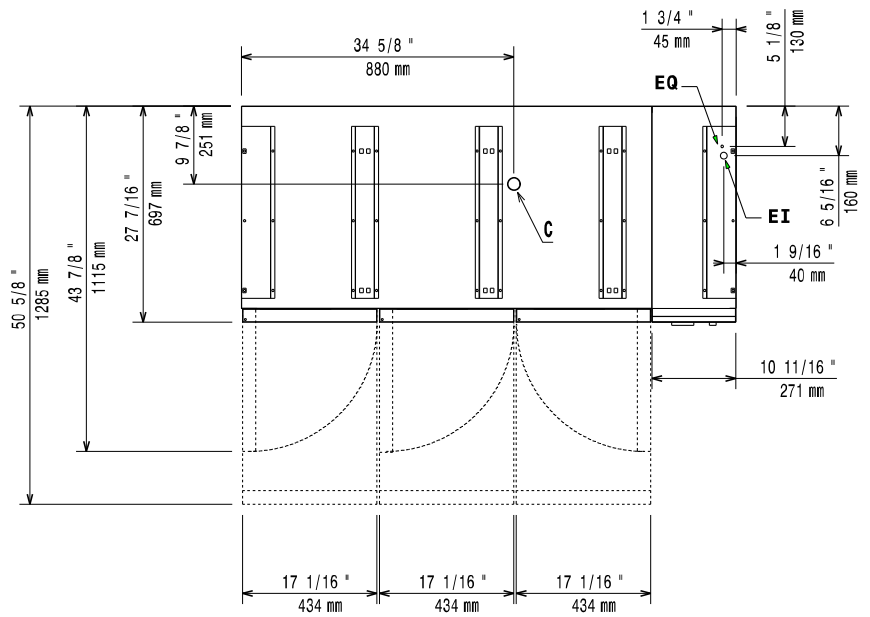


# Installation diagram

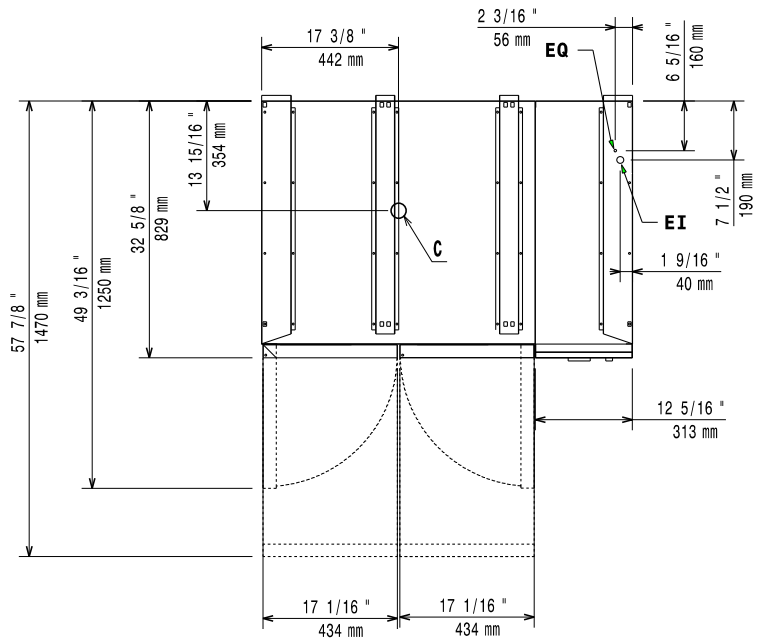
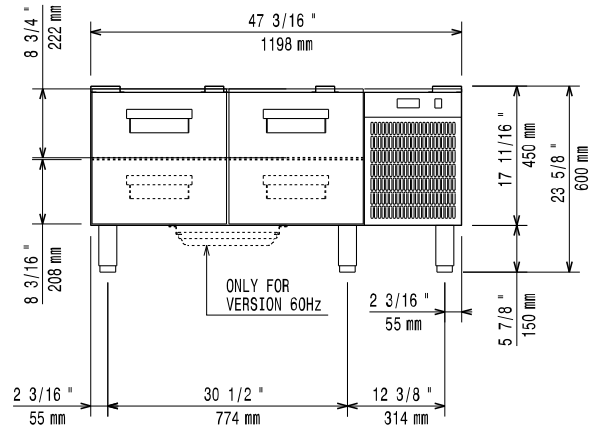
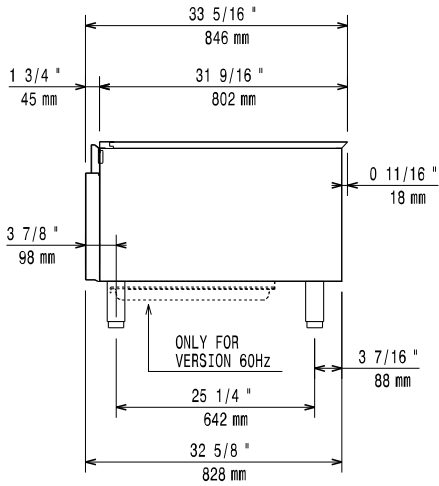


## MODELS N7E:

- +7TTBECOMKN
- +7TTBECOMKR
- +7TTBPCOMKN
- +7TTBPCOMKR
- +7TTAECOMKN
- +7TTAECOMKR
- +7TTCECOMKN
- +7TTCECOMKR
- +7TTAPCOMKN
- +7TTAPCOMKR
- +7TTCCOMKN
- +7TTCCOMKR



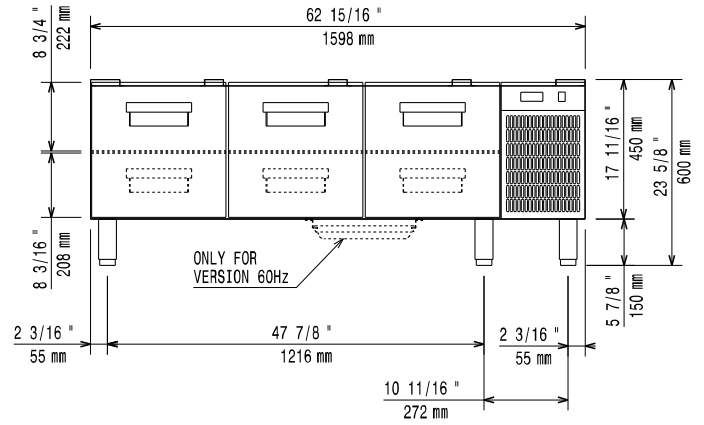
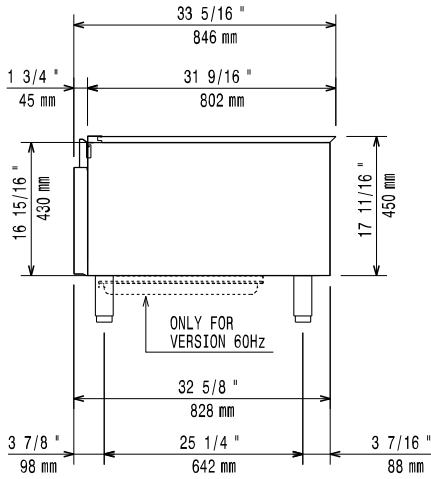
# Installation diagram



## MODELS N9E:

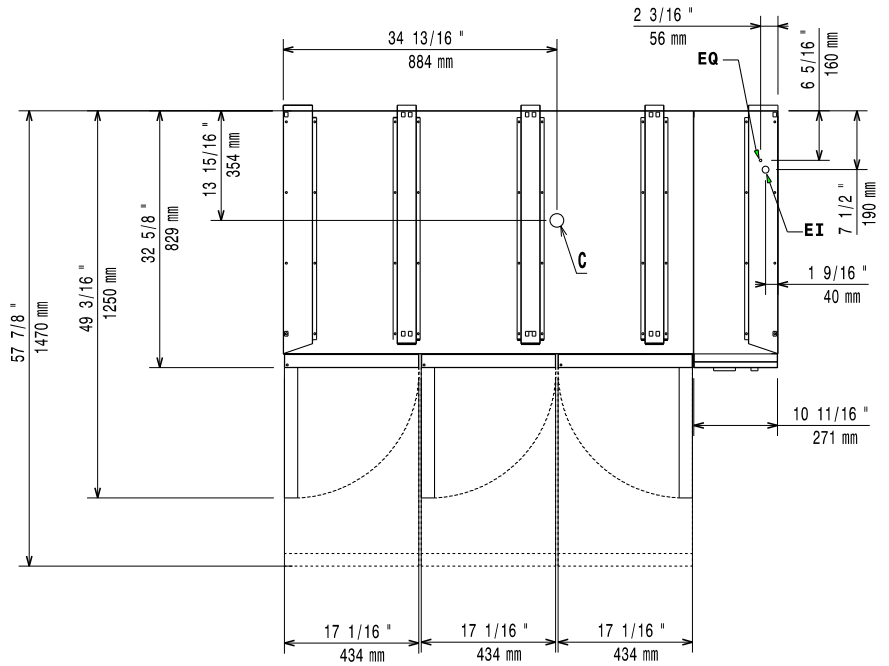
- +9TTAECOMIN
- +9TTAECOMIR
- +9TTAPCOMIN
- +9TTAPCOMIR

# Installation diagram



## MODELS N9E:

- +9TTAECOMKN
- +9TTAECOMKR
- +9TTAPCOMKN
- +9TTAPCOMKR
- +9TTBECOMKN
- +9TTBECOMKR
- +9TTBPCOMKN
- +9TTBPCOMKR



EI – Power supply cable inlet  
EQ – Equipotential

C - Condensate drain (60Hz)

## Foreword



Read the following instructions, including the warranty terms before installing and using the appliance.

Visit our website [www.electroluxprofessional.com](http://www.electroluxprofessional.com) and open the **Support** section to:

---



Register your product



Get hints & tips of your product, service and repair information

---

The installation, use and maintenance manual (hereinafter Manual) provides the user with information necessary for correct and safe use of the appliance.

The following must not be considered a long and exacting list of warnings, but rather a set of instructions suitable for improving appliance performance in every respect and, above all, preventing injury to persons and animals and damage to property due to improper operating procedures.

All persons involved in appliance transport, installation, commissioning, use and maintenance, repair and disassembly must consult and carefully read this manual before carrying out the various operations, in order to avoid wrong and improper actions that could compromise the appliance's integrity or endanger people. Make sure to periodically inform the user regarding the safety regulations. It is also important to instruct and update personnel authorised to operate on the appliance, regarding its use and maintenance.

The manual must be available to operators and carefully kept in the place where the appliance is used, so that it is always at hand for consultation in case of doubts or whenever required.

If, after reading this manual, there are still doubts regarding appliance use, do not hesitate to contact the Manufacturer or the authorised Service Centre to receive prompt and precise assistance for better operation and maximum efficiency of the appliance. During all stages of appliance use, always respect the current regulations on safety, work hygiene and environmental protection. It is the user's responsibility to make sure the appliance is started and operated only in optimum conditions of safety for people, animals and property.



### IMPORTANT

- The manufacturer declines any liability for operations carried out on the appliance without respecting the instructions given in this manual.
- The manufacturer reserves the right to modify the appliances presented in this publication without notice.
- No part of this manual may be reproduced.
- This manual is available in digital format by:
  - contacting the dealer or reference customer care;
  - downloading the latest and up to date manual on the web site;
- The manual must always be kept in an easily accessed place near the appliance. Appliance operators and maintenance personnel must be able to easily find and consult it at any time.

# Contents

A	WARNING AND SAFETY INFORMATION	9
A.1	General information	9
A.2	Personal protection equipment	10
A.3	General safety	10
A.4	Technical data	11
A.5	Protection devices installed on the appliance	12
A.6	Safety signs to be placed on the appliance or near its area	12
A.7	Reasonably foreseeable improper use	12
A.8	Residual risks	13
A.9	Product loading and unloading	14
A.10	Transport, handling and storage	14
A.11	Installation and assembly	14
A.12	Electrical connection	14
A.13	Positioning	15
A.14	Appliance space limits	15
A.15	Remote models	15
A.16	Appliance cleaning	15
A.17	Preventive Maintenance	15
A.18	Parts and accessories	16
A.19	Precautions for use and maintenance	16
A.20	Appliance maintenance	16
A.21	Appliance disposal	16
B	WARRANTY	16
B.1	Warranty terms and exclusions	16
C	TECHNICAL DATA	18
C.1	Appliance and manufacturer's identification data	18
C.2	How to interpret the factory description	19
C.3	Technical data	19
C.4	Climatic class	19
C.5	Materials and fluids used	20
D	GENERAL INFORMATION	20
D.1	Introduction	20
D.2	Intended use and restrictions	20
D.3	Testing and inspection	20
D.4	Copyright	20
D.5	Keeping the manual	20
D.6	Recipients of the manual	20
D.7	Definitions	20
D.8	Responsibility	20
E	NORMAL USE	21
E.1	Characteristics of personnel trained for normal appliance use	21
E.2	Characteristics of personnel enabled to operate on the appliance	21
E.3	Operator qualified for normal appliance use	21
F	INSTALLATION AND ASSEMBLY	21
F.1	Introduction	21
F.2	Customer's responsibilities	21
F.3	Disposal of packing	21
F.4	Placing the load, storage and positioning	21
F.5	Installing a counter top appliance on the refrigerated base	22
F.6	Joining appliances on refrigerated bases (only N7E models)	22
F.7	Gas, electricity, water and other connections (if present, depending on the appliance and/or model)	22
F.8	Electrical connection	22
F.9	Equipotential node and Earth connection	22
G	INSTRUCTION FOR THE USER	22
G.1	Use	22
G.1.1	Refrigerator models	22
G.1.2	Freezer models	23
G.2	Product loading	23
H	MACHINE CLEANING AND MAINTENANCE	23
H.1	Ordinary maintenance	23
H.1.1	Care information	23
H.1.2	Cleaning the appliance and accessories	23
H.1.3	First cleaning	23
H.1.4	Periods of non-use	24
H.1.5	Internal parts (every 6 months)	24
H.2	Repair and extraordinary maintenance	24
H.3	Maintenance intervals	24
I	MACHINE DISPOSAL	25
I.1	Waste storage	25
I.2	Procedure regarding appliance dismantling macro operations	25
J	ENCLOSED DOCUMENTS	25



---

## A WARNING AND SAFETY INFORMATION

---

### A.1 General information

To ensure safe use of the appliance and a proper understanding of the manual it is necessary to be familiar with the terms and typographical conventions used in the documentation. The following symbols are used in the manual to indicate and identify the various types of hazards:



#### **WARNING**

Danger for the health and safety of operators.



#### **WARNING**

Danger of electrocution - dangerous voltage.



#### **CAUTION**

Risk of damage to the appliance or the product.



#### **WARNING**

Risk of fire / Flammable materials



#### **IMPORTANT**

Important instructions or information on the product



Equipotentiality



Read the instructions before using the appliance








Clarifications and explanations

- Only specialised personnel are authorised to operate on the appliance.
- This appliance is to be intended for commercial and collective use, for example in kitchens of restaurants, canteens, hospitals and in commercial enterprises such as bakeries, butcheries, etc., not for continuous mass production of food. Any other use is deemed improper.
- This appliance must not be used by minors and adults with limited physical, sensory or mental abilities or without adequate experience and knowledge regarding its use.
- Do not let children play with the appliance.
- Keep all packaging and detergents away from children.
- Cleaning and user maintenance shall not be made by children without supervision.
- For your safety do not store or use gasoline or other flammable vapours and liquids in the vicinity of this or any other appliance.
- Do not store explosive substances, such as pressurized containers with flammable propellant, in this appliance.
- Refer to the data given on the appliance's data plate for relations with the Manufacturer (e.g. when ordering spare parts, etc.).
- When scrapping the appliance, the marking must be destroyed.
- Save these instructions carefully for further consultation by the various operators.

## A.2 Personal protection equipment

Summary table of the Personal Protection Equipment (PPE) to be used during the various stages of the appliance's service life.

Stage	Protective garments 	Safety footwear 	Gloves 	Glasses 	Safety helmet 
Transport	—	●	○	—	○
Handling	—	●	○	—	—
Unpacking	—	●	○	—	—
Installation	—	●	● <sup>1</sup>	—	—
Normal use	●	●	● <sup>2</sup>	—	—
Adjustments	○	●	—	—	—
Routine cleaning	○	●	● <sup>1-3</sup>	○	—
Extraordinary cleaning	○	●	● <sup>1-3</sup>	○	—
Maintenance	○	●	○	—	—
Dismantling	○	●	○	○	—
Scrapping	○	●	○	○	—
<b>Key:</b>					
●	<b>PPE REQUIRED</b>				
○	<b>PPE AVAILABLE OR TO BE USED IF NECESSARY</b>				
—	<b>PPE NOT REQUIRED</b>				

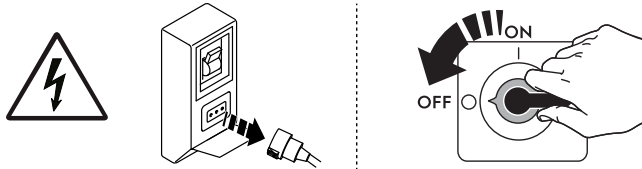
1. During these operations, gloves must be cut-resistant. Failure to use the personal protection equipment by operators, specialized personnel or users can involve exposure to damage to health (depending on the model).

2. During these operations, gloves must be heatproof to protect hands from contact with hot food or hot parts of the appliance and/or when removing hot items from it. Failure to use the personal protection equipment by operators, specialised personnel or users can involve exposure to chemical risk and cause possible damage to health (depending on the model).

3. During these operations, gloves must be suitable for contact with chemical substances used (refer to the safety data sheet of the substances used for information regarding the required PPE). Failure to use the personal protection equipment by operators, specialized personnel or users can involve exposure to chemical risk and cause possible damage to health (depending on the model).

## A.3 General safety

- The appliances are provided with electric and/or mechanical safety devices for protecting workers and the appliance itself.
- Never operate the appliance, removing, modifying or tampering with the guards, protection or safety devices.
- Do not make any modifications to the parts supplied with the appliance.
- Several illustrations in the manual show the appliance, or parts of it, without guards or with guards removed. This is purely for explanatory purposes. Do not use the appliance without the guards or with the protection devices deactivated.



Disconnect the appliance from the power supply before carrying out any installation, assembly, cleaning or maintenance procedure.

- Do not remove, tamper with or make illegible the marking and safety, danger and instruction signs and labels on the appliance.
- The A-weighted emission sound pressure level does not exceed 70 dB(A).
- Turn the appliance off in case of fault or poor operation.
- Do not use products (even if diluted) containing chlorine (sodium hypochlorite, hydrochloric or muriatic acid, etc.) to clean the appliance or the floor under it.
- Do not spray aerosols in the vicinity of this appliance while it is in operation.
- Install the appliance under conditions of adequate ventilation in order to provide a suitable air change per hour. Make sure that the ventilation system, whatever it is, always remains operational and efficient for the entire period of time during which the equipment is operating.
- Do not obstruct the flow of combustion and ventilation air.
- The following operations have to be carried out by specialised authorised personnel or Customer Care Service provided with all the appropriate personal protection equipment (*A.2 Personal protection equipment*), tools, utensils and ancillary means, who can ask the manufacturer to supply a servicing manual:
  - Installation and assembly
  - Positioning
  - Electrical connection
  - Appliance cleaning, repair and extraordinary maintenance
  - Appliance disposal
  - Work on electrical equipment

## A.4 Technical data

### Materials and fluids used

- R290 gas is potentially flammable and explosive! Take every possible precaution to prevent any risk linked to the nature of this gas during any routine and/or extraordinary operation carried out on the appliance.

### Performance

Equivalent sound pressure level Leq dB(A) <sup>1</sup>	<70
---	-----

1. The noise emission values have been obtained according to EN ISO 11204. The value could increase depending on the workplace where measured.

### Climatic Class

The climatic class given on the data plate refers to the following values:

- CLIMATIC CLASS: 5
  - 43°C (IEC/EN 60335-2-89)
  - 40°C room with 40% relative humidity (EN 16825).




## A.5 Protection devices installed on the appliance

### Guards



The appliance has:

- fixed guards (e.g. casings, covers, side panels, etc.), fixed to the appliance and/or frame with screws or quick-release connectors that can only be removed or opened with tools; therefore the user must not remove or tamper with such devices. The Manufacturer declines any liability for damage due to tampering or their non-use;
- interlocked movable guards (door) for access inside the appliance;
- appliance electrical equipment access doors, made from hinged panels openable with tools. The door must not be opened when the appliance is connected to the power supply.

## A.6 Safety signs to be placed on the appliance or near its area

Prohibition	Meaning
	do not remove the safety devices
	do not use water to extinguish fires (placed on electrical parts)
	Keep the area around the appliance clear and free from combustible materials. Do not keep flammable materials in the vicinity of the appliance

Danger	Meaning
	caution hot surface
	danger of electrocution (shown on electrical parts with indication of voltage)

## A.7 Reasonably foreseeable improper use

Improper use is any use different from that specified in this manual. During appliance operation, other types of work or activities deemed improper and that in general can involve risks for the safety of operators and damage to the appliance are not allowed. Reasonably foreseeable improper use includes:

- lack of appliance maintenance, cleaning and periodical checks;
- structural changes or modifications to the operating logic;
- tampering with the guards or safety devices;
- failure to use personal protection equipment by operators, specialised personnel and maintenance personnel;
- failure to use suitable accessories (e.g. use of unsuitable equipment or ladders);
- keeping combustible or flammable materials, or in any case materials not compatible with or pertinent to the work, near the appliance;
- wrong appliance installation;

- placing in the appliance any objects or things not compatible with its use, or that can damage the appliance, cause injury or pollute the environment;
- climbing on the appliance;
- non-compliance with the requirements for correct appliance use;
- other actions that give rise to risks not eliminable by the Manufacturer.



## **WARNING**

The previously described actions are prohibited!

### **A.8 Residual risks**

The appliance has several risks that were not completely eliminated from a design standpoint or with the installation of adequate protection devices. Nevertheless, through this manual the Manufacturer has taken steps to inform operators of such risks, carefully indicating the personal protection equipment to be used by them. In order to reduce the risks, provide for sufficient spaces while installing the unit.

To preserve these conditions, the areas around the appliance must always be:

- kept free of obstacles (e.g. ladders, tools, containers, boxes, etc.);
- clean and dry;
- well lit.

For the Customer's complete information, the residual risks remaining on the appliance are indicated below: such actions are deemed improper and therefore strictly forbidden.

<b>Residual risk</b>	<b>Description of hazardous situation</b>
Slipping or falling	The operator can slip due to water, any liquid or dirt on the floor
Burns/abrasions (e.g. heating elements, cold pan, cooling circuit plates and pipes)	The operator deliberately or unintentionally touches some components inside the appliance without using protective gloves.
Electrocution	Contact with live parts during maintenance operations carried out with the electrical panel powered
Crushing or injury	The specialised personnel may not correctly fix the control panel when accessing the technical compartment. The panel could close suddenly.
Tipping of loads	When handling the appliance or the packing containing it, using unsuitable lifting systems or accessories or with the unbalanced load
Chemical	Contact with chemical substances (e.g. detergent, rinse aid, scale remover, etc.) without taking adequate safety precautions. Therefore always refer to the safety cards and labels on the products used.
Sudden closing of the lid/door/ oven door (if present, depending on the appliance type)	The operator for normal appliance use could suddenly and deliberately close (if present, depending on the appliance type): <ul style="list-style-type: none"> <li>• lid</li> <li>• door/s</li> <li>• drawers</li> </ul>

## A.9 Product loading and unloading



### WARNING

- Cover or wrap food before placing it in the refrigerator and avoid putting very hot foods or steaming liquids inside.
- Do not use mechanical devices or other means to speed up the defrost process, unless recommended by the manufacturer.
- Do not damage the circuit.
- Do not use electrical appliances inside the appliance compartments for storing frozen food, unless such equipment is recommended by the manufacturer.
- Regarding the maximum load for each shelf, respect that given in the table below:

SHELF MAXIMUM LOAD	54 KG
--------------------	-------

## A.10 Transport, handling and storage

- Please refer to indications on packaging for stackability during transport, handling and storage.
- Do not stand under suspended loads during loading or unloading operations. Unauthorized personnel must not enter the work area.
- The weight of the appliance alone is not sufficient to keep it steady.
- For appliance lifting and anchoring, do not use movable or weak parts such as: casings, electrical raceways, pneumatic parts, etc.
- Do not push or pull the appliance to move it, as it may tip over. Use proper tool to lift the appliance.
- Arrange a suitable area with flat floor for appliance unloading and storage operations.
- Appliance transport, handling and storage personnel must be adequately instructed and trained regarding the safely use of lifting systems and personal protection equipment suitable for the type of operation carried out.
- When removing the anchoring systems, make sure the stability of the appliance parts does not depend on the anchoring and, therefore, that this operation does not cause the load to fall off the vehicle. Before unloading the appliance components, make sure all the anchoring systems are removed.

## A.11 Installation and assembly

- The operations described must be carried out in compliance with the current safety regulations and provisions in force in the country of use.
- The plug, if present, must be accessible after positioning the appliance in the place of installation.
- The appliance is not suitable for installation outdoors and/or in places exposed to atmospheric agents (rain, direct sunlight, etc.).

## A.12 Electrical connection

- The power supply system must be suitable for the rated current of the connected appliance; the connection must be carried out in compliance with the regulations and provisions in force in the country of use.
- The information regarding the appliance power supply voltage is given on the dataplate.
- Install between the power cable and the electric line a differential thermal-magnetic switch suitable for the absorption specified on the data plate, with contact gap enabling

complete disconnection in category III overvoltage conditions and complying with the regulations in force.

- If the power cable is damaged, it must be replaced by the Customer Care Service or in any case by specialised personnel, in order prevent any risk.
- The manufacturer declines any liability for damage or injury resulting from breach of the above rules or non-compliance with the electrical safety regulations in force in the country where the appliance is used.
- Verify that a safety circuit breaker is installed between the power cable of the appliance and the mains electric line. The contact opening max. distance and leakage current must comply with the local safety regulations.

### **A.13 Positioning**

- Install the appliances, taking all the safety precautions required for this type of operation, also respecting the relevant fire-prevention measures.
- Prevent the areas where the appliance is installed to be polluted with corrosive substances (chlorine, etc.). In case such prevention cannot be guaranteed, the entire stainless steel surface has to be coated by a paraffin protective film spread by using a rag soaked with paraffin. The manufacturer declines any liability for corrosive effects due to external causes.

### **A.14 Appliance space limits**

- The appliances are not suitable for recess-mounting. Leave a space of at least 100 between the appliance and side walls and 100 from the rear wall, or in any case an adequate space to enable subsequent servicing or maintenance operations.
- Maintain a distance of at least 100 mm between the appliance and any combustible walls. Do not store or use flammable materials and liquids near the appliance.

### **A.15 Remote models**

#### **Positioning**

- Install the appliance, taking all the safety precautions required for this type of operation, also respecting the relevant fire-prevention measures.
- For the choice of remote condensing unit refer to the unit recommended by the Manufacturer, given on the equipment technical sheet.
- In case of extraordinary size of the remote condensing unit refer to the technical sheet for the refrigerating capacity data or consult the Manufacturer's website or Local Service Center/ Agency authorized by the Manufacturer.
- Installation of the appliance and the refrigerant fluid condensing unit must only be carried out by the manufacturer's service personnel or by specialised personnel.

### **A.16 Appliance cleaning**

- Do not touch the appliance with wet hands or feet or when barefoot.
- Put the appliance in safe conditions before starting any cleaning operation.
- Do not allow oil or grease to come into contact with plastic parts. Do not allow dirt, fat, food or other residuals to form deposits on the appliance.
- Respect the requirements for the various routine and extraordinary maintenance operations. Non-compliance with the instructions can create risks for personnel.
- Do not spray water or use water jets, steam cleaner or high pressure cleaner.

### **A.17 Preventive Maintenance**

In order to ensure the safety and performance of your equipment, it is recommended that service is undertaken by Electrolux Professional authorised engineers every 12 months, in

accordance with Electrolux Professional Service Manuals. Please contact your local Electrolux Professional Service Centre for further details.

## **A.18 Parts and accessories**

Use only original accessories and/or spare parts. Failure to use original accessories and/or spare parts will invalidate the original manufacturer warranty and may render the appliance not compliant with the safety standard.

## **A.19 Precautions for use and maintenance**

- Risks mainly of a mechanical, thermal and electrical nature exist in the appliance. Where possible the risks have been neutralised:
  - directly, by means of adequate design solutions.
  - indirectly by using guards, protection and safety devices.
- Any anomalous situations are signalled on the control panel display.
- During maintenance several risks remain, as these could not be eliminated, and must be neutralised by adopting specific measures and precautions.
- Do not carry out any checking, cleaning, repair or maintenance operations on moving parts. Workers must be informed of this prohibition by means of clearly visible signs.
- To guarantee appliance efficiency and correct operation, periodical maintenance must be carried out according to the instructions given in this manual.
- Make sure to periodically check correct operation of all the safety devices and the insulation of electrical cables, which must be replaced if damaged.

## **A.20 Appliance maintenance**

- The inspection and maintenance intervals depend on the actual appliance operating conditions and ambient conditions (presence of dust, damp, etc.), therefore precise time intervals cannot be given. In any case, careful and periodical appliance maintenance is advisable in order to minimise service interruptions.
- It is advisable to stipulate a preventive and scheduled maintenance contract with the Customer Care Service.
- Put the appliance in safe conditions before starting any maintenance operation.
- To guarantee appliance efficiency and correct operation, periodical maintenance must be carried out according to the instructions given in the manual.

## **A.21 Appliance disposal**

- Make the appliance unusable by removing the power cable and any compartment closing devices, to prevent the possibility of someone becoming trapped inside.

---

## **B WARRANTY**

---

### **B.1 Warranty terms and exclusions**

If the purchase of this product includes warranty coverage, warranty is provided in line with local regulations and subject to the product being installed and used for the purposes as designed, and as described within the appropriate equipment documentation.

Warranty will be applicable where the customer has used only genuine spare parts and has performed maintenance in accordance with Electrolux Professional user and maintenance documentation made available in paper or electronic format.

Electrolux Professional strongly recommends using Electrolux Professional approved cleaning, rinse and descaling agents to obtain optimal results and maintain product efficiency over time.

The Electrolux Professional warranty does not cover:

- service trips cost to deliver and pick up the product;
- installation;
- training on how to use/operate;
- replacement (and/or supply) of wear and tear parts unless resulting from defects in materials or workmanship reported within one (1) week from the failure;
- correction of external wiring;
- correction of unauthorized repairs as well as any damages, failures and inefficiencies caused by and/or resulting from:
  - insufficient and/or abnormal capacity of the electrical systems (current/voltage/frequency, including spikes and/or outages);
  - inadequate or interrupted water supply, steam, air, gas (including impurities and/or other that does not comply with the technical requirements for each appliance);



- plumbing parts, components or consumable cleaning products that are not approved by the manufacturer;
- customer's negligence, misuse, abuse and/or non-compliance with the use and care instructions detailed within the appropriate equipment documentation;
- improper or poor: installation, repair, maintenance (including tampering, modifications and repairs carried out by third parties not authorized) and modification of safety systems;
- Use of non-original components (e. g.: consumables, wear and tear, or spare parts);
- environment conditions provoking thermal (e. g. overheating/freezing) or chemical (e. g. corrosion/oxidation) stress;
- foreign objects placed in- or connected to- the product;
- accidents or force majeure;
- transportation and handling, including scratches, dents, chips, and/or other damage to the finish of the product, unless such damage results from defects in materials or workmanship and is reported within one (1) week of delivery unless otherwise agreed;
- product with original serial numbers that have been removed, altered or cannot be readily determined;
- replacement of light bulbs, filters or any consumable parts;
- any accessories and software not approved or specified by Electrolux Professional.





Warranty does not include scheduled maintenance activities (including the parts required for it) or the supply of cleaning agents unless specifically covered within any local agreement, subject to local terms and conditions.

Check on Electrolux Professional website the list of authorized customer care.

## C TECHNICAL DATA


### C.1 Appliance and manufacturer's identification data

A reproduction of the marking or dataplate on the machine is given below:

Electrolux Professional SpA - Viale Treviso 15 - 33170 PN (Italy)		L
PNC.	<input type="text"/>	N° <input type="text"/>
Mod.	<input type="text"/>	
EL	<input type="text"/> V	<input type="text"/> ~ <input type="text"/> Hz <input type="text"/> A <input type="text"/> kW
	IP 24	MADE in ITALY
		

PNC.	<input type="text"/>	Mod.	<input type="text"/>
PROD. N°	<input type="text"/>		
CLIMATIC CLASS – KLIMA KLASSE	<input type="text" value="B"/>	CAP.	<input type="text" value="C"/> l
REFRIGERANTE REFRIGERANT TYPE	<input type="text" value="D"/>	<input type="text" value="E"/>	g
V ~ Hz		<input type="text"/>	kW
RESISTENZA SBRINAMENTO DEFROSTING RESISTANCE		<input type="text" value="F"/>	W
RESISTENZA SCARICO DISCHARGE RESISTANCE	<input type="text" value="G"/>	W	POTENZA CICLO SBRINAMENTO DEFROSTING POWER INPUT <input type="text"/>
GAS ISOLAMENTO INSULATION GAS	<input type="text" value="HCFO1233zd"/>		

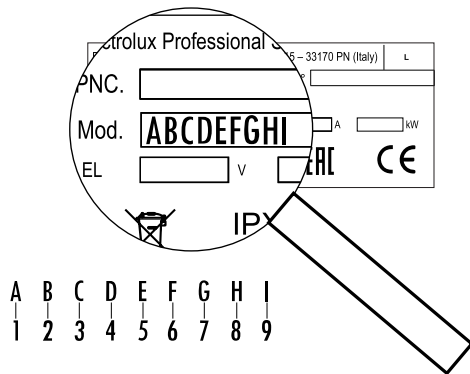
The dataplate gives the product identification and technical data. The meaning of the various information given on it is listed below:

PNC	production number code
Mod.	factory description of product
N°	serial number
V	power supply voltage
~	number of phases
Hz	power supply frequency
kW	power input
A	absorbed current
IP24	dust and water protection rating
	CE marking
B	climatic class
C	nominal capacity
D	type of refrigerant gas
E	grams of refrigerant
F	defrost heating element power
G	drain heating element power
L	year of construction
Electrolux Professional SpA Viale Treviso 15 33170 Porde- none Italy	manufacturer

When installing the appliance, make sure the electrical connection is carried out in compliance with that specified on the dataplate.

## C.2 How to interpret the factory description

The factory description on the data plate has the following meaning:



### 1 - Product / Brand

E	Electrolux
Z	Zanussi
N	To brand

### 2 - Family (depth)

7	700 mm
9	900 mm

### 3 - Function Type

T	Refrigerator or Freezer
---	-------------------------

### 4 - Size-zones-details

TA	Refrigerated, full size drawers
TB	Refrigerated, half size drawers
TC	Refrigerated, Doors
TD	Refrigerated, Doors and drawers
TE	Freezer, full size drawers
TF	Freezer, half size drawers
TG	Freezer, doors
TH	Dual temperature cold base

### 5 - Power Supply

E	230V/1 N ~
P	230V/60Hz ~

### 6 - Module Type

C	Base
---	------

### 7 - Base Combination

O	Not Applicable
---	----------------

### 8 - Module Width

MI	1200 mm
MK	1600 mm

### 9 - Option

N	R290 (gas for refrigerated base)
K	R452A (gas for refrigerated base)
R	Remote control unit

## C.3 Technical data

Characteristics		MODELS	
		Refrigerator model	Freezer model
Internal temperature Range	°C	-2 +10	-19 -22
Single phase power supply (50 or 60Hz)	V	230	230
Power input	W	See dataplate	See dataplate
Max. current input	A	See dataplate	See dataplate
Refrigeration output	W	See dataplate <sup>1</sup>	See dataplate <sup>2</sup>
Max. ambient temperature	°C	+ 43	+ 43
Refrigeration unit	Built-in condens-ing unit	R290	
	Remote condens-ing unit	R452a	
Max. capacity of the relay	Remote condens-ing unit	12 (8)A 250Vac	
Equivalent sound pressure level Leq dB(A) <sup>3</sup>	dB (A)	<70	<70
Max. shelf load	Kg	54	54
Max. drawer load	Kg	40	40
Grill/drawer dimensions	mm	Grills 325 x 530	1 Drawer N7E: 304 x 581*250h 2 Drawers N7E: 304 x 536*98h 1 Drawer N9E: 304 x 630*250h 2 Drawers N9E: 304 x 642*98h

1. With an ambient temperature of +43°C, a condensation temperature of +50°C and an evaporation temperature of -15°C
2. With an ambient temperature of +43°C, a condensation temperature of +50°C and an evaporation temperature of -35°C
3. The noise emission values have been obtained according to EN ISO 11204. The value could increase depending on the workplace where measured.

## C.4 Climatic class

The climatic class given on the data plate refers to the following values:

### CLIMATIC CLASS: 5

- 43°C [109,4°F] (IEC/EN 60335-2-89)
- 40°C [104°F] room with 40% relative humidity
- (IEC/EN ISO 23953).

## C.5 Materials and fluids used

The areas in contact with the food product are in steel; there are stainless steel supports and screws inside the above-mentioned areas.

The fluorinated gases are contained in a hermetically sealed device.

An HFC (R452a (GWP:2141)) or HC refrigerant fluid for models with refrigerant R290, complying with the current regulations, is used in the refrigeration units. The type and quantity of gas used are given on the dataplate.

The CO<sub>2</sub> equivalent of the gas may be calculated multiplying GWP value by quantity of gas.

## D GENERAL INFORMATION



### WARNING

Refer to “*WARNING and Safety Information*”

### D.1 Introduction

The drawings and diagrams given in the manual are not in scale. They supplement the written information with an outline, but are not intended to be a detailed representation of the appliance supplied.

The numerical values given on the appliance installation diagrams refer to measurements in millimeters and/or inches.

### D.2 Intended use and restrictions

This appliance is designed for the refrigeration or preservation of food. It is intended for industrial use. Any other use is to be considered improper.

**This appliance is manufactured in compliance with the requirements of Directives:**

- CEE 89/336 electromagnetic compatibility
- CEE 73/23 low voltage
- CEE 98/37 machines and relative reference standards.

**The refrigerated base is designed to work in built-in installations. The built-in installations foreseen are:**

- Installation in-line and next to other cooking functions;
- undercounter installation;
- installation inside a specially obtained compartment.

The machine does not come complete with finishing in the upper part. In the upper part of the machine there is an accessory (perforated top) for installing and ensuring the functionality of specific cooking equipment provided by the manufacturer.



### CAUTION

The machine is not suitable for installation outdoors and/or in places exposed to atmospheric agents (rain, direct sunlight, etc.).

### D.3 Testing and inspection

Our appliances have been designed and optimized, with laboratory testing, in order to obtain high performance and efficiency.

Passing of the tests (visual inspection - gas/electrical test - functional test) is guaranteed and certified by the specific enclosures.

### D.4 Copyright

This manual is intended solely for consultation by the operator and can only be given to third parties with the permission of Electrolux Professional company.

### D.5 Keeping the manual

The manual must be carefully kept for the entire life of the appliance, until scrapping. The manual must stay with the appliance in case of transfer, sale, hire, granting of use or leasing.

### D.6 Recipients of the manual

**This manual is intended for:**

- the carrier and handling personnel;
- installation and commissioning personnel;
- the employer of appliance users and the workplace manager;
- operators for normal appliance use;
- specialised personnel - Customer Care service (see service manual).

### D.7 Definitions

Listed below are the definitions of the main terms used in the manual. It is advisable to read them carefully before use.

Operator	appliance installation, adjustment, use, maintenance, cleaning, repair and transport personnel.
Manufacturer	Electrolux Professional SpA or any other service centre authorised by Electrolux Professional SpA.
Operator for normal appliance use	an operator who has been informed and trained regarding the tasks and hazards involved in normal appliance use.
Customer Care service or specialised personnel	an operator instructed/trained by the Manufacturer and who, based on his professional and specific training, experience and knowledge of the accident-prevention regulations, is able to appraise the operations to be carried out on the appliance and recognise and prevent any risks. His professionalism covers the mechanical, electrotechnical and electronics fields etc.
Danger	source of possible injury or harm to health.
Hazardous situation	any situation where an operator is exposed to one or more hazards.
Risk	a combination of probabilities and risks of injury or harm to health in a hazardous situation.
Protection devices	safety measures consisting of the use of specific technical means (guards and safety devices) for protecting operators against risks.
Guard	an element of a appliance used in a specific way to provide protection by means of a physical barrier.
Safety device	a device (other than a guard) that eliminates or reduces the risk; it can be used alone or in combination with a guard.
Customer	the person who purchased the appliance and/or who manages and uses it (e. g. company, entrepreneur, firm).
Electrocution	an accidental discharge of electric current on a human body.

### D.8 Responsibility

**The Manufacturer declines any liability for damage and malfunctioning caused by:**

- non-compliance with the instructions contained in this manual;
- repairs not carried out in a workmanlike fashion, and replacements with parts different from those specified in

the spare parts catalogue (the fitting and use of non-original spare parts and accessories can negatively affect appliance operation and invalidates the original manufacturer warranty);

- operations carried out by non-specialised personnel;
- unauthorized modifications or operations;
- missing, lack or inadequate maintenance;
- improper appliance use;
- unforeseeable extraordinary events;
- use of the appliance by uninformed and / or untrained personnel;
- non-application of the current provisions in the country of use, concerning safety, hygiene and health in the workplace.

The Manufacturer declines any liability for damage caused by arbitrary modifications and conversions carried out by the user or the Customer.

The employer, workplace manager or service technician are responsible for identifying and choosing adequate and suitable personal protection equipment to be worn by operators, in compliance with regulations in force in the country of use.

The Manufacturer declines any liability for inaccuracies contained in the manual, if due to printing or translation errors.

Any supplements to the installation, use and maintenance manual the Customer receives from the Manufacturer will form an integral part of the manual and therefore must be kept together with it.

## E NORMAL USE

### E.1 Characteristics of personnel trained for normal appliance use

The Customer must make sure the personnel for normal appliance use are adequately trained and skilled in their duties, as well as ensuring their own safety and that of other persons.

The Customer must make sure his personnel have understood the instructions received and in particular those regarding work hygiene and safety in use of the appliance.

### E.2 Characteristics of personnel enabled to operate on the appliance

The Customer is responsible for ensuring that persons assigned to the various duties:

- read and understand the manual;
- receive adequate training and instruction for their duties in order to perform them safely;
- receive specific training for correct appliance use.

### E.3 Operator qualified for normal appliance use

Must have at least:

- knowledge of the technology and specific experience in operating the appliance;
- adequate general basic education and technical knowledge for reading and understanding the contents of the manual, including correct interpretation of the drawings, signs and pictograms;
- sufficient technical knowledge for safely performing his duties as specified in the manual;
- knowledge of the regulations on work hygiene and safety.

In case of a significant anomaly (e. g. short circuits, wires coming out of the terminal block, motor breakdowns, worn electrical cable sheathing, etc.) the operator for normal appliance use must:

- immediately deactivate the appliance and disconnect all the supplies (electricity, gas, water).

## F INSTALLATION AND ASSEMBLY

### F.1 Introduction

To ensure correct operation of the appliance and maintain safe conditions during use, carefully follow the instructions given below in this section.



#### CAUTION

Before moving the appliance make sure the load bearing capacity of the lifting equipment used is suitable for its weight.

### F.2 Customer's responsibilities

The tasks and works required of the Customer are:

- prearrange a high-sensitivity manual-reset magneto-thermal circuit-breaker;
- prearrange a device lockable in the open position for the connection to the power supply.
- check the floor planarity on which the machine is placed.
- install a rapid gas shutoff valve ahead of each individual appliance (depending on the model). Install the valve in an easily accessed place.
- for information regarding the electrical connection, refer to F.8 *Electrical connection* paragraph;

### F.3 Disposal of packing

The packing must be disposed of in compliance with the current regulations in the country where the appliance is used. All the packing materials are environmentally friendly.

They can be safely kept, recycled, or burned in an appropriate waste incineration plant. Recyclable plastic parts are marked as follows:



#### Polyethylene

- Outer wrapping
- Instructions bag



#### Polypropylene

- Straps



#### Polystyrene foam

- Corner protectors

The parts in wood and cardboard can be disposed of, respecting the current regulations in the country where the appliance is used.

### F.4 Placing the load, storage and positioning

Before placing the load, make sure the way is free, the floor is flat and can take the load.

- Remove the appliance from the wooden pallet, move it to one side, then slide it onto the floor.
- Store the machine and/or its parts in a non-aggressive place, protected from damp, free of vibrations and with room temperatures between -10°C and 50°C.  
This place must have a flat support surface in order to avoid deformation of the machine or damage to the support feet.
- Install the appliance in a well ventilated room, as far as possible from heat sources and in such a way so as to ensure good air circulation, especially around the compressor unit.

The room temperature should not exceed +43°C in order to maintain the recommended internal temperatures.

- Use the height-adjustable feet to make sure the appliance is level.  
The appliance must be levelled, otherwise its operation could be affected.
- Check that the door closes properly.
- There must be free air circulation above the appliance.  
There must be no obstructions caused by trays, cardboard boxes, jars or other materials; otherwise they must be immediately removed.

### F.5 Installing a counter top appliance on the refrigerated base

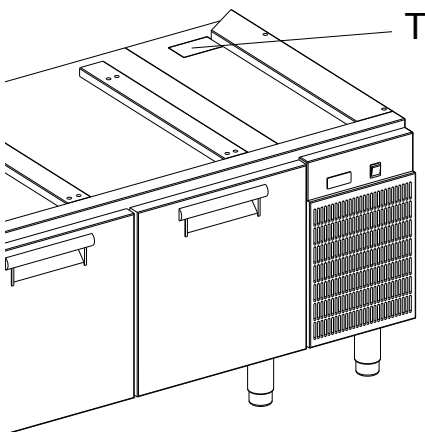
With the aid of the installation diagrams check that the counter top appliances can be fitted on the refrigerated base.

**If it is possible, proceed as follows:**

1. Unscrew the feet of the counter top appliance and replace them with the threaded pins (not supplied);
2. Place the appliance, matching the pins with the corresponding holes (provided with clips) on the base;
3. Make sure the pins are properly inserted and that the appliance is stable.
4. Adjust the height of the appliance by means of the pins or by inserting shims if necessary

### F.6 Joining appliances on refrigerated bases (only N7E models)

Install the appliance on the right end of the refrigerated base (see figure below).



To connect the grill drain to the discharge pipe remove the pre-cut panel "T".

### F.7 Gas, electricity, water and other connections (if present, depending on the appliance and/or model)

- Any installation work or maintenance to the supply system (gas, electricity, water and/or steam, if present) must only be carried out by the utility company or an authorised installation technician.
- Refer to the appliance dataplate for the product code.
- See the installation diagram for the type and position of appliance connections.

### F.8 Electrical connection

The electrical connection must be carried out in conformity with the current local safety regulations.

**To connect to the power supply:**

1. insert the power plug into the corresponding mains socket
2. make sure that:
  - the voltage and frequency rated on the appliance data plate conform to those of the mains supply;
  - the mains socket has an adequate current carrying capacity and is suitably earthed.

If you have doubts about the efficiency of the earth connection have the installation checked by a qualified technician.

  - an all-pole circuit-breaker with minimum contact gap of 3 mm must be fitted between the socket and the power supply line.



**NOTE!**  
Because this appliance has a Y-type electric connection, the power supply cable must only be replaced by a qualified electrician.



**IMPORTANT**  
The manufacturer declines any liability if the safety regulations are not respected.

### F.9 Equipotential node and Earth connection

Connect the appliance to an earth; it must be included in an equipotential node by means of the screw located under the frame.

The screw is marked with the symbol ⚡.

## G INSTRUCTION FOR THE USER

### G.1 Use

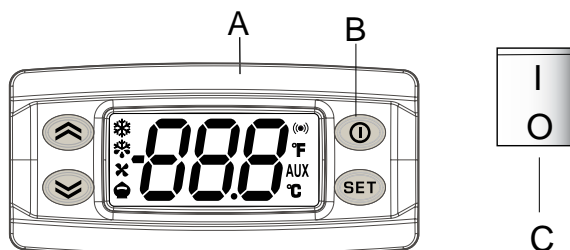
#### General precautions

- This appliance must be used exclusively for the purpose for which it has been designed, namely for the refrigeration or preservation of food. Any other use is to be considered improper.
- To get the best use of the appliance, observe the following indications:
  - avoid placing hot foods or liquids in the appliance,
  - make sure all foods are covered or wrapped,
  - leave enough space between the grids and the sides of the appliance in order to ensure correct air circulation,
  - do not leave the doors open for long periods whilst placing items in or removing items from the appliance.



**IMPORTANT**  
Maximum load for each shelf and/or drawer: 40 kg.

#### G.1.1 Refrigerator models



#### Control panel

A	Digital Thermoregulator
B	Ignition
C	Main switch

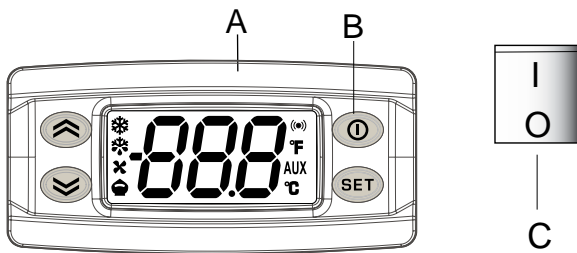
### Switching on

1. Switch on the safety switch upline of the appliance;
2. Press the control panel switch "C";  
Lighting up of the incorporated indicator signals that the power is on.
3. Activate the digital thermoregulator "A" by keeping the button "B" for at least 5 seconds;  
When the set temperature has been reached, the thermostat will disconnect the compressor unit and reconnect when necessary so as to maintain an almost constant temperature.  
The thermostat is factory set to a working temperature of 0°C. When the appliance is working, the Digital Thermoregulator "A" indicates the internal cell temperature.

#### G.1.1.1 Defrosting

The appliance is equipped with an automatic defrost function. The defrost water is collected in a basin under the appliance.

#### G.1.2 Freezer models



#### Control panel

A	Thermometer and electronic control
B	Ignition
C	Main switch

### Switching on

1. Switch on the safety switch upline of the appliance;
2. Press the control panel switch "C";

- Lighting up of the incorporated indicator signals that the power is on;
3. Activate the digital thermoregulator "A" by keeping the button "B" for at least 5 seconds.  
The thermostat is factory set to a working temperature of -22°C to guarantee an average cell temperature of -20°C  
The working temperature can be changed:

	to increase the temperature
	to lower the temperature.

- When the appliance is working, the Digital Thermoregulator "A" indicates the internal cell temperature.
- When the set temperature has been reached, the thermostat will disconnect the compressor unit and reconnect when necessary so as to maintain an almost constant temperature.

#### G.1.2.1 Defrosting

The appliance is equipped with an automatic defrost function.

### G.2 Product loading

Distribute the product evenly inside the compartment (away from the door and back) in order to allow good air circulation.

**WARNING**  
Cover or wrap food before placing it in the refrigerator and avoid putting very hot foods or steaming liquids inside.

Do not leave the door open any longer than necessary when loading or removing food.

It is advisable to keep the keys (for models with lock) in a place only accessible to authorised personnel.

To prevent unauthorised personnel from opening the appliance, it is advisable to always close it with the key.

## H MACHINE CLEANING AND MAINTENANCE

**WARNING**  
Refer to "*WARNING and Safety Information*".

**CAUTION**  
Do not use solvent-based detergents (e.g. trichloro-ethylene) or abrasive powders for cleaning.

### H.1 Ordinary maintenance

#### H.1.1 Care information

The following care operations have to be carried out by the owner and/or user of the appliance.

**IMPORTANT**  
Problems resulting from poor or lack of care as hereinafter described will not be covered by the warranty.

**WARNING**  
Before carrying out any cleaning or maintenance, disconnect the appliance from the power supply.

#### H.1.2 Cleaning the appliance and accessories

Before using the appliance, clean all the internal parts and accessories with lukewarm water and neutral soap or products that are over 90% biodegradable (in order to reduce the emission of pollutants into the environment), then rinse and dry thoroughly.

#### H.1.3 First cleaning

Before using the appliance, clean all the internal parts and accessories with lukewarm water and neutral soap or products that are over 90% biodegradable (in order to reduce the emission of pollutants into the environment).

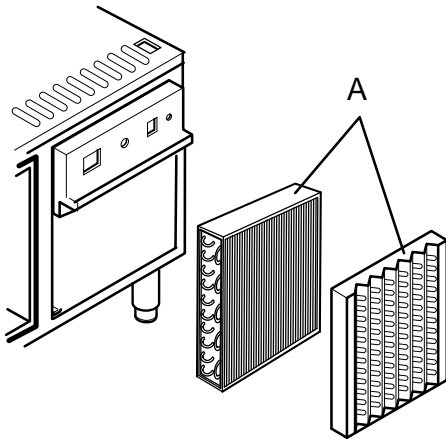
Then rinse and dry thoroughly.

**IMPORTANT**  
Do not use solvent-based detergents (e.g. trichloro-ethylene) or abrasive powders for cleaning.

#### Periodic cleaning

- Clean stainless steel parts using a cloth and warm water and neutral soap, then rinse thoroughly and dry well.  
When cleaning these surfaces never use detergents containing abrasive or corrosive substances, common wire wool, wire brushes, scrapers or other such implements.
- Painted parts should be cleaned using silicon wax;

- The condenser fins of the refrigeration (“A”) unit must be cleaned at least once every six months, using a brush or a vacuum cleaner;



- Avoid using sharp implements whilst cleaning the evaporator and condenser;
- Empty the defrost basin, located under the appliance, every day.

#### H.1.4 Periods of non-use

If the appliance is not going to be used for a long period, take the following precautions:

- remove the plug from the socket;
- remove all food from the cell and clean the interior and the accessories;

### H.3 Maintenance intervals

All the components requiring maintenance are accessible from the front or the rear panel of the appliance.

The inspection and maintenance intervals depend on the actual machine operation conditions and ambient conditions (presence of dust, damp, etc.), therefore precise time intervals cannot be given.

In any case, careful and periodical machine maintenance is advisable in order to minimise service interruptions.

Machine maintenance, checking and overhaul operations must only be carried out by a specialised Technician or the Customer Care Service, provided with adequate personal protection equipment (safety shoes and gloves), tools and ancillary means;

Work on the electrical equipment must only be carried out by a specialised electrician or the Customer Care Service;

To ensure constant machine efficiency, it is advisable to carry out the checks with the frequency given in the following table:

Maintenance, inspections, checks and cleaning	Frequency	Responsibility
<b>Ordinary cleaning</b> <ul style="list-style-type: none"> <li>• general cleaning of machine and surrounding area.</li> </ul>	Daily	Operator
<b>Mechanical protection devices</b> <ul style="list-style-type: none"> <li>• check their condition and for any deformation, loosening or removed parts.</li> </ul>	Monthly	Service
<ul style="list-style-type: none"> <li>• <b>Control</b> check the mechanical part, for cracks or deformation, tightening of screws: check the readability and condition of words, stickers and symbols and restore if necessary.</li> </ul>	Yearly	Service
<b>Machine structure</b> <ul style="list-style-type: none"> <li>• tightening of main bolts (screws, fixing systems, etc.) of machine.</li> </ul>	Yearly	Service
<ul style="list-style-type: none"> <li>• <b>Safety signs</b> check the readability and condition of safety signs.</li> </ul>	Yearly	Service
<ul style="list-style-type: none"> <li>• <b>Electrical control panel</b> check the electrical components installed inside the electrical control panel. Check the wiring between the electrical panel and machine parts.</li> </ul>	Yearly	Service
<ul style="list-style-type: none"> <li>• <b>Electrical connection cable and plug</b> check the connection cable (replace if necessary) and plug.</li> </ul>	Yearly	Service

- leave the doors open to allow the air to circulate inside, so preventing the formation of unpleasant odours;
- briskly rub a cloth soaked in vaseline oil over all the stainless steel surfaces so that it forms a protective film;
- Periodically air the premises



#### IMPORTANT

Put the machine in safe conditions before starting any maintenance operation.

After carrying out maintenance, make sure the machine is able to work safely and, in particular, that the protection and safety devices are efficient.

#### H.1.5 Internal parts (every 6 months)



#### IMPORTANT

Operations to be carried out only by specialised personnel.

- Check the condition of the internal parts.
- Remove any deposits of dirt inside the appliance.
- Check and clean the discharge system.



#### IMPORTANT

In particular conditions (e.g. intensive use of the appliance, salty environment, etc.) the above cleaning should be more frequent.

### H.2 Repair and extraordinary maintenance



#### NOTE!

Repair and extraordinary maintenance have to be carried out by specialised authorised personnel, who can ask the manufacturer to supply a service manual.



Maintenance, inspections, checks and cleaning	Frequency	Responsibility
<ul style="list-style-type: none"> <li>• <b>Extraordinary machine maintenance</b> check all gas components (if present).</li> </ul>	Yearly	Service
<b>General machine overhaul</b> <ul style="list-style-type: none"> <li>• check all components, electrical equipment, corrosion, pipes...</li> </ul>	Every 10 years <sup>1</sup>	Service

1. the machine is designed and built for a duration of about 10 years. After this period of time (from commissioning) the machine must undergo a general inspection and overhaul. Some examples of checks to be carried out are given below.

**List of checks:**

- Check for any oxidised electrical components or parts; if necessary, replace them and restore the initial conditions;
- Check the structure and welded joints in particular;
- Check and replace bolts and/or screws, also checking for any loose components;
- Check the electrical and electronic system;
- Check the functionality of safety devices;
- Check the general condition of protection devices and guards.

**Disassembly**

- All scrapping operations must occur with the machine stopped and cold and the electrical power supply disconnected.
- Work on the electrical equipment must only be carried out by a qualified electrician, with the power supply disconnected.
- To carry out these operations it is necessary to use: overalls, safety shoes and gloves.
- During disassembly and handling of the various parts, the minimum height from the floor must be maintained.

**I MACHINE DISPOSAL**



**WARNING**

Refer to “*WARNING and Safety Information*”

**I.1 Waste storage**

At the end of the product's life-cycle, make sure it is not dispersed in the environment.

Depending on the model, the doors must be removed before scrapping the appliance.

SPECIAL waste materials can be stored temporarily while awaiting treatment for disposal and/or permanent storage. In any case, the current environmental protection laws in the user's country must be observed.

**I.2 Procedure regarding appliance dismantling macro operations**

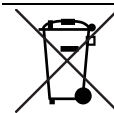
Before disposing of the appliance, make sure to carefully check its physical condition, and in particular any parts of the structure that can give or break during scrapping.

The appliance's parts must be disposed of in a differentiated way, according to their different characteristics (e. g. metals, oils, greases, plastic, rubber, etc.).

Different regulations are in force in the various countries, therefore comply with the provisions of the laws and competent bodies in the country where scrapping takes place.

In general, the appliance must be taken to a specialised collection/ scrapping centre.

Dismantle the appliance, grouping the components according to their chemical characteristics, remembering that the compressor contains lubricant oil and refrigerant fluid which can be recycled, and that the refrigerator components are special waste assimilable with urban waste.



The symbol on the product indicates that this product should not be treated as domestic waste, but must be correctly disposed of in order to prevent any negative consequences for the environment and human health. For further information on the recycling of this product, contact the local dealer or agent, the Customer Care service or the local body responsible for waste disposal.



**NOTE!**

When scrapping the appliance, any marking, this manual and other documents concerning the appliance must be destroyed.

**J ENCLOSED DOCUMENTS**

- Set of test and inspection documents.
- Wiring diagram.
- Installation diagram.
- Declaration of Conformity





CE